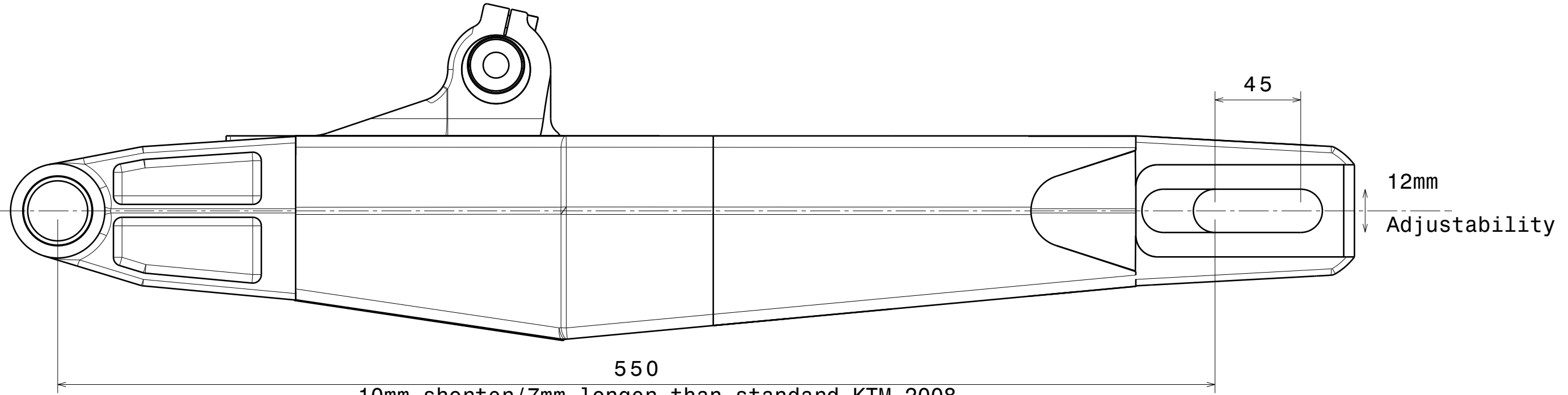


H G F E D C B A

4

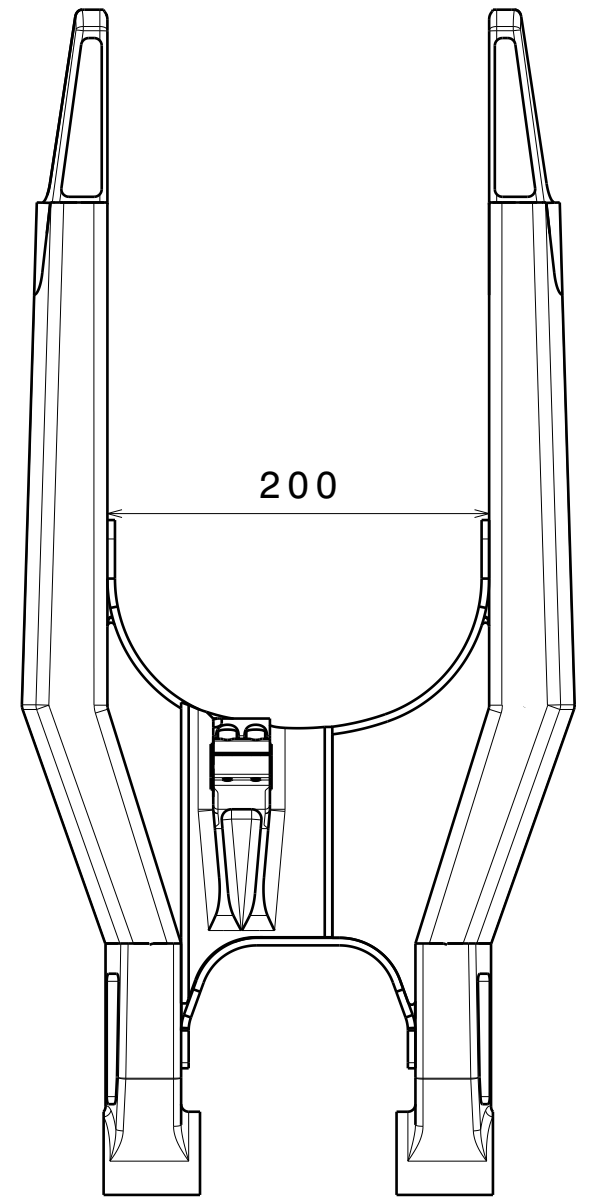
4



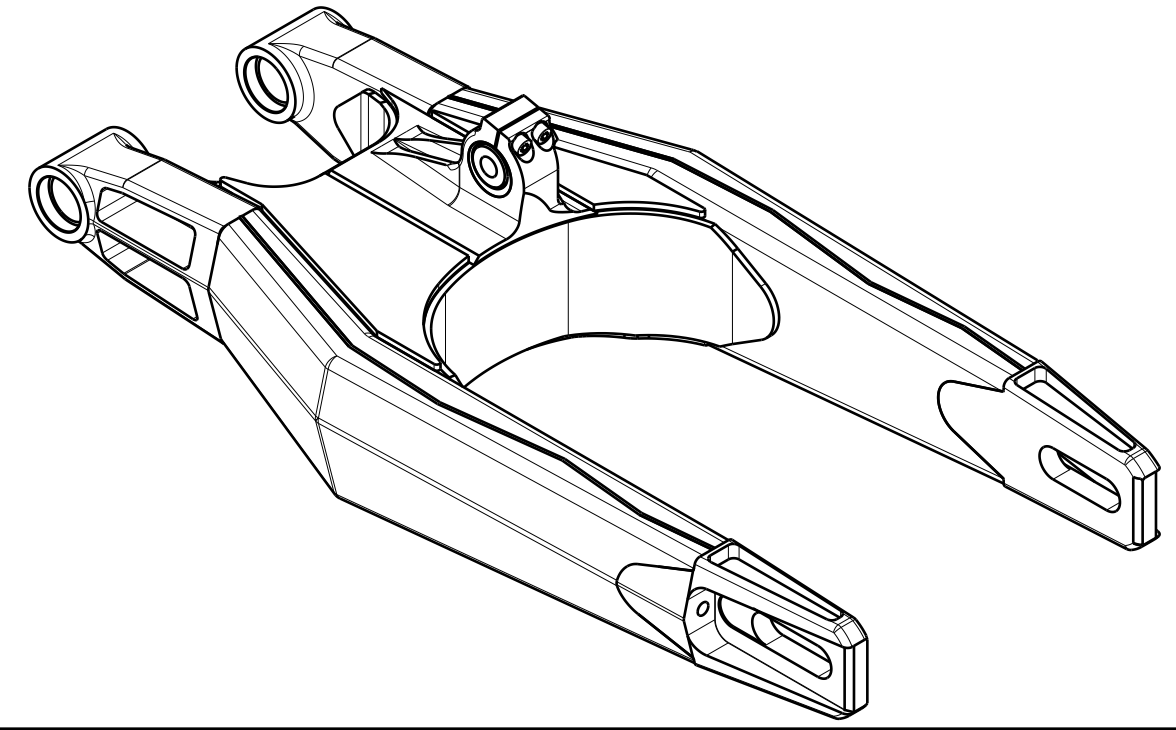
10mm shorter/7mm longer than standard KTM 2008
25mm shorter than standrd KTM SMR 560 2007

3

3



200



2

2

1

1

H G B A

This drawing is our property. It can't be reproduced or communicated without our written agreement.		DEV-TECH 2008			
DRAWN BY StephenMoth		DATE 04.01.2008		DRAWING TITLE ADJUSTABLE SWINGARM	
CHECKED BY XXX		DATE xxx		SIZE A3	REV X
DESIGNED BY XXX		DATE xxx		DRAWING NUMBER SMR 2008 SWINGARM	
		SCALE 1:1	WEIGHT (kg) 2.92	SHEET 1/1	